



3W MR16 LED LAMP

3W MR16 uses high brightness LED engine which gives a superb Illumination. It is ideal for the use in tracks, rails, and pendants in exhibit, architectural and residential applications. Furthermore, the multi-selection on various colors offers a great experience in decorative and mood lighting applications. The lamp features standard MR16 bi-pin, which offers an instant replacement in MR16 type fixtures. With a life of more than 25,000 hours, it can be used in hard-to-reach locations to prevent a regular maintenance needs.

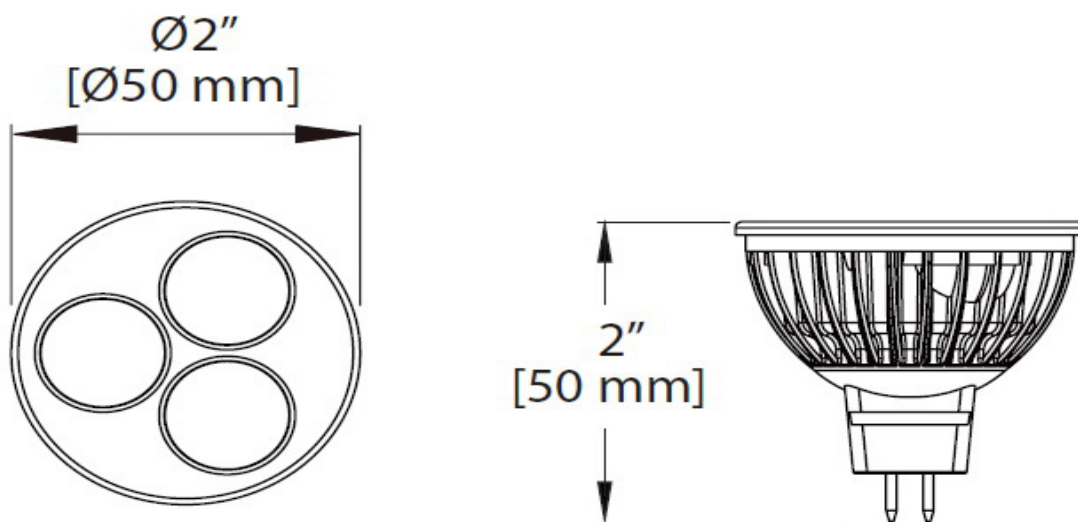
- Solid State Lighting Technology
- Reduce CO₂ Emission
- Superior Quality Light
- Energy Saving (3W)
- Ecologically Friendly
- 2 Year Limited Warranty



Table of Contents

• Dimensions.....	2
• Absolute Maximum Rating.....	2
• Specifications.....	3
• Illumination and Field Angles.....	3
• Light Patterns.....	3
• Lifetime.....	4
• Environmentally Friendly.....	4
• Economical.....	5
• Application Notes.....	5
• Package Information.....	5

Dimensions



Tolerance: $\pm 1/8''$ [2.5 mm]

Absolute Maximum Rating

The following table shows electrical characteristics and operating temperature of 3W MR16.

Parameter	Symbol	Rating	Units
Plastic Housing Temperature	T _c	65	°C
Operating Temperature	T _{opr}	-20 ~ +40	°C
Storage Temperature	T _{stg}	-40 ~ +60	°C
AC/DC Input Voltage	V	12	V
Equilibrium Temperature	T _{eq}	55	°C

Specification

The following describes the choices of color temperature, angles, and CRI of 3W MR16 for different demand.

Parameter	Rating	Units
Power Consumption	3	W
Field Angles	38	Degree
Color Temperature	3000/4000/6000	K
CRI	80/75/70	/
Weight	40 ± 5	g
Base	GU5.3	none

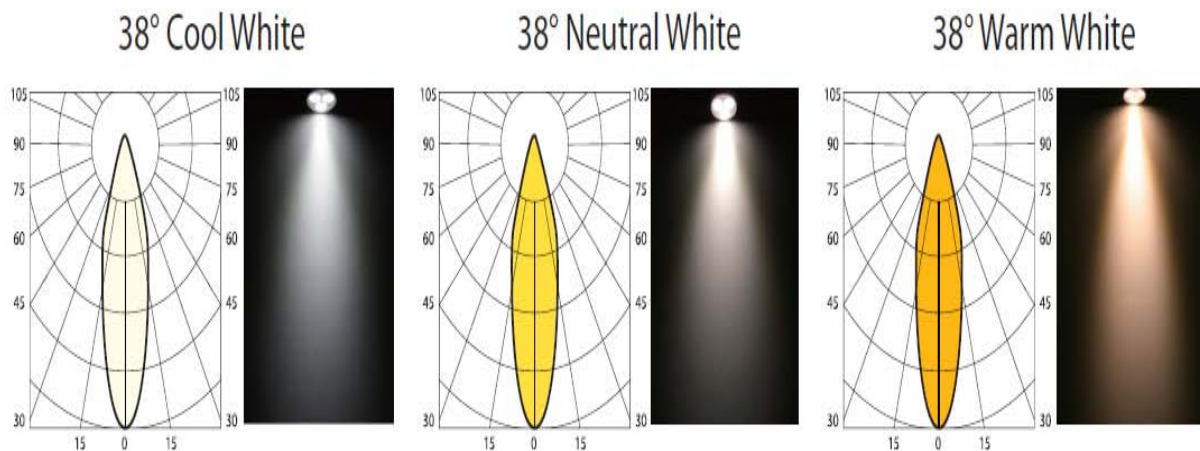
Illuminance and Field Angles

Part Number	Power Consumption(W)	CCT(Typ.)	Color	Field Angle	Lux* @ 1m (Min)	Lux* @ 1m (Typ.)	Lm (Min.)
LVC-LB-3WMR16-0387000	3W	5650~7000K	Cool White	38°	940	1100	190
LVC-LB-3WMR16-0384500		3800~4500K	Neutral White		680	800	130
LVC-LB-3WMR16-0383050		2670~3050K	Warm White		640	750	120

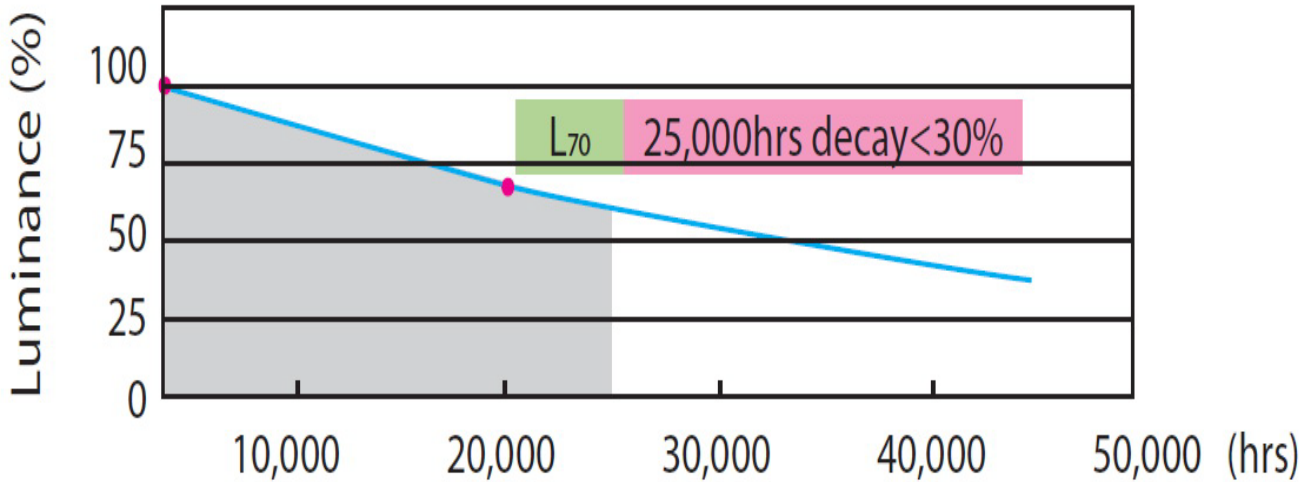
The tables present the illuminance level with respect to different color temperature.

Light Patterns

The diagrams present the light patterns with respect to different color temperature and field angle.

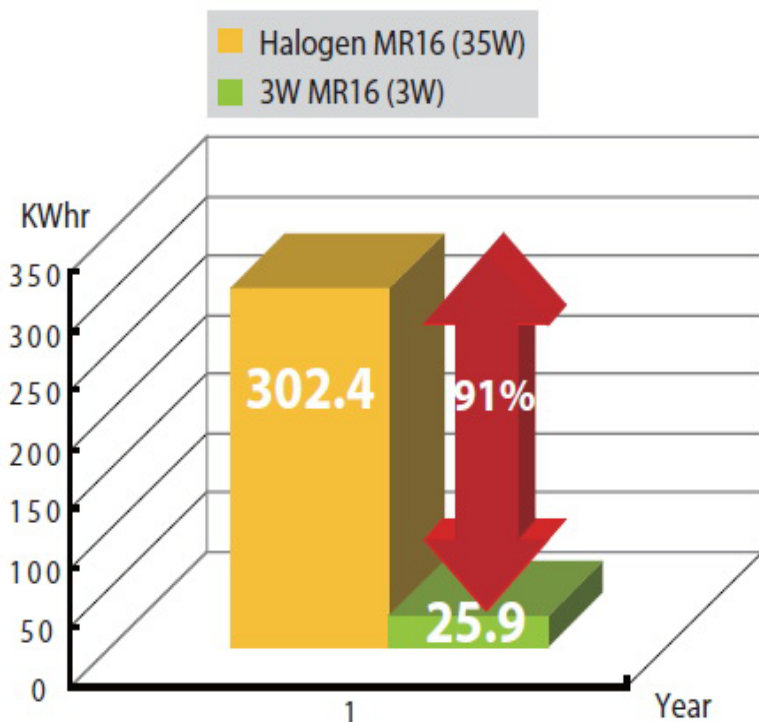
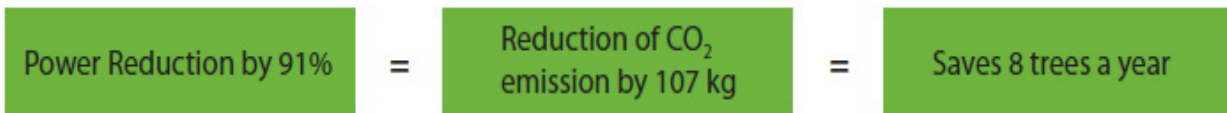


Lifetime



Environmentally Friendly

3W MR16 VS 35W Halogen



Economical



Power Consumption:	35W
Expected Lifetime:	1,000 hrs



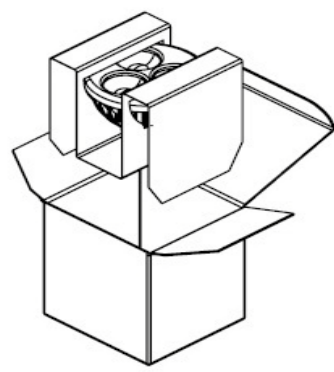
Power Consumption:	3W	Saving: 276.5 kWh / year
Expected Lifetime:	30,000 hrs	

Application Notes

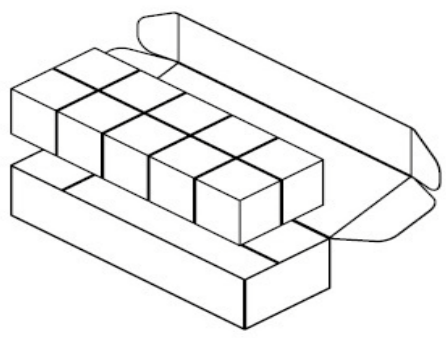
Light Vision 3W MR16 is compatible for traditional MR16 and more effective. Meanwhile it can be easily installed in lighting fixture.



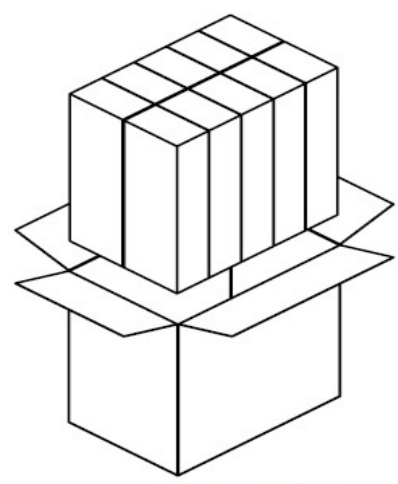
Package Information



1pc / Pack



10 pcs / Box



100 pcs / Carton

Pack Dimensions : 60mm(length)*55mm(width)*65mm(height)
 Box Dimensions : 330mm(length)*120mm(width)*70mm(height)
 Carton Dimensions : 368mm(length)*248mm(width)*350mm(height)