



3W GU10 LED LAMP

GU10 uses high brightness LED engine which gives a superb illuminance. It is ideal for the use in tracks, rails, and pendants in exhibit, architectural and residential applications.

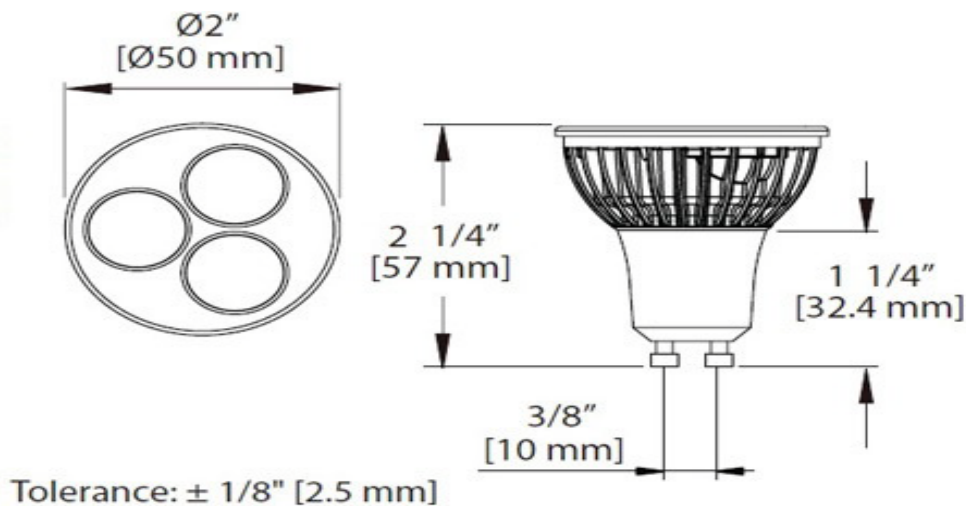
Furthermore, the multi-selection on various colors offers a great experience in decorative and mood lighting applications. The lamp features standard GU10 bi-pin, which offers an instant replacement in MR16 type fixtures. With a life of more than 25,000 hours, it can be used in hard-to-reach locations to prevent a regular maintenance needs.

- Solid State Lighting Technology
- Reduce CO₂ Emission
- Superior Quality Light
- Energy Saving (3W)
- Ecologically Friendly
- 2 Year Limited Warranty

Table of Contents

• Dimensions.....	2
• Absolute Maximum Rating.....	2
• Specifications.....	3
• Illumination and Field Angles.....	3
• Light Patterns.....	3
• Lifetime.....	4
• Environmentally Friendly.....	4
• Economical.....	5
• Application Notes.....	5
• Package Information.....	5

Dimensions



Absolute Maximum Rating

The following table shows electrical characteristics and operating temperature of 3W GU10.

Parameter	Symbol	Rating	Units
Plastic Housing Temperature	T _c	65	°C
Operating Temperature	T _{opr}	-20 ~ +40	°C
Storage Temperature	T _{stg}	-40 ~ +60	°C
AC Input Voltage	V	100~250	V
Equilibrium Temperature	T _{eq}	60	°C

Specification

The following describes the choices of color temperature, angles, and CRI of 3W GU10 for different demand.

Parameter	Rating	Units
Power Consumption	3	W
Field Angles	38	Degree
Color Temperature	3000/4000/6000	K
CRI	80/75/70	/
Weight	60 ± 5	g
Base	GU10	none

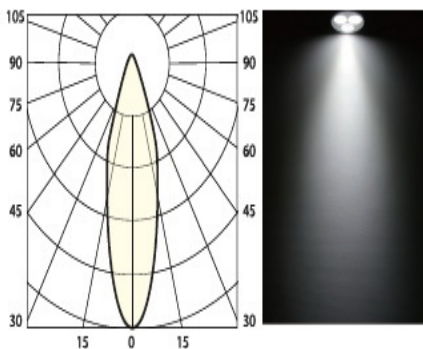
Illuminance and Field Angles

The tables present the illuminance level with respect to different color temperature.

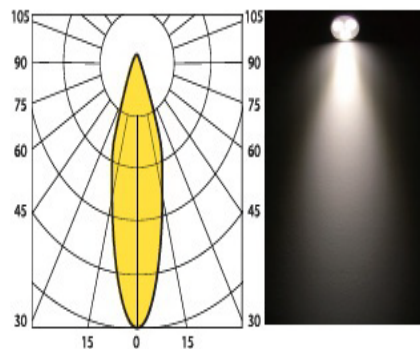
Part Number	Power Consumption(W)	CCT(Typ.)	Color	Field Angle	Lux* @ 1m (Min)	Lux* @ 1m (Typ.)	Lm (Min.)
LVC-LB-3WGU10-0387000	3W	5650~7000K	Cool White	38°	940	1100	160
LVC-LB-3WGU10-0384500		3800~4500K	Neutral White		680	800	135
LVC-LB-3WGU10-0383050		2670~3050K	Warm White		640	750	120

Light Patterns

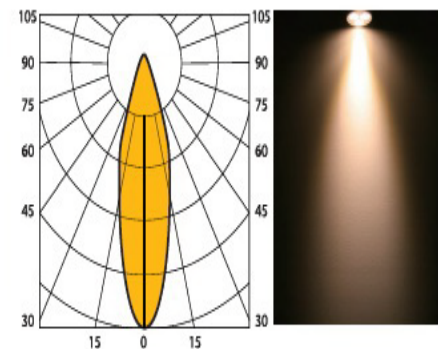
38° Cool White



38° Neutral White

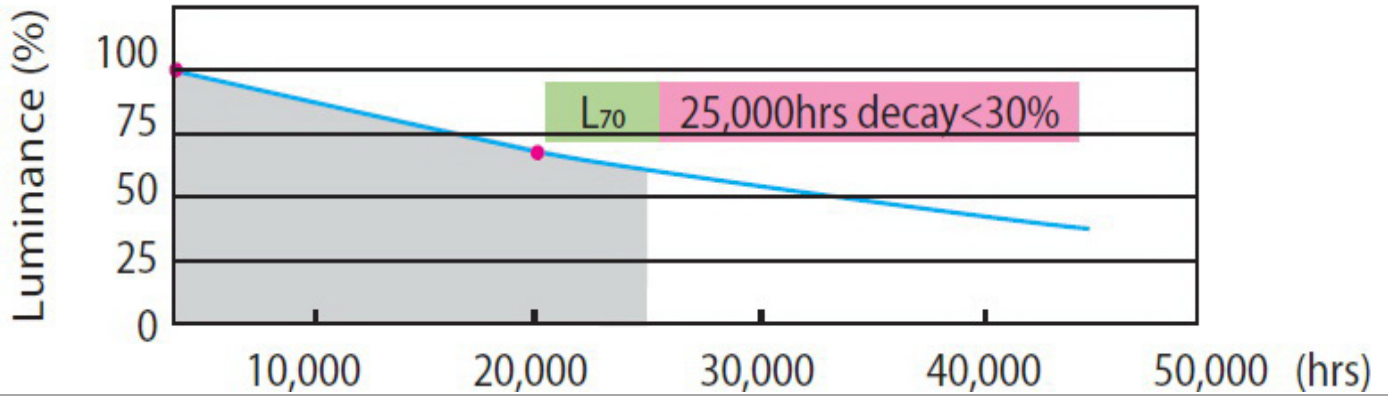


38° Warm White



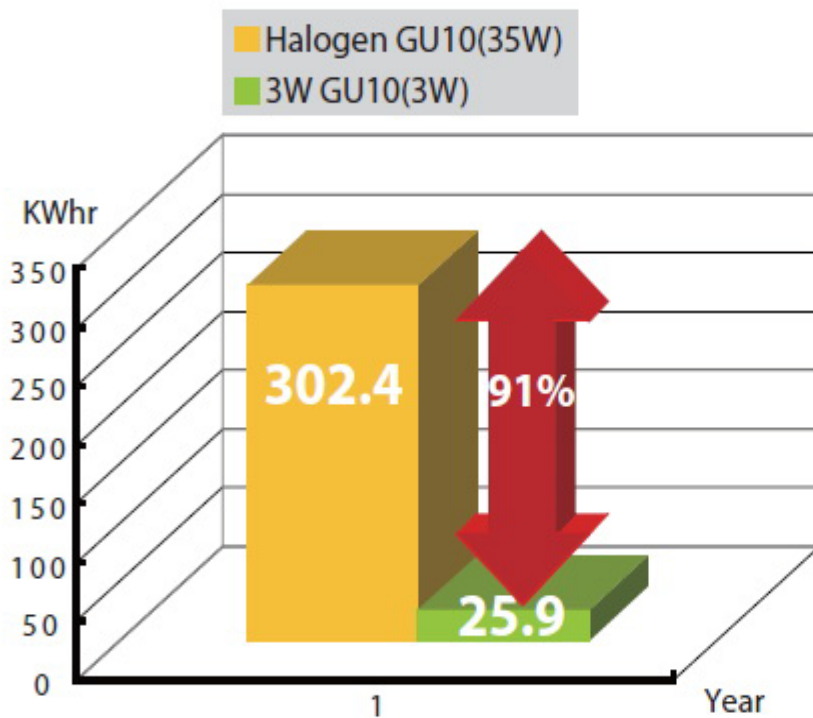
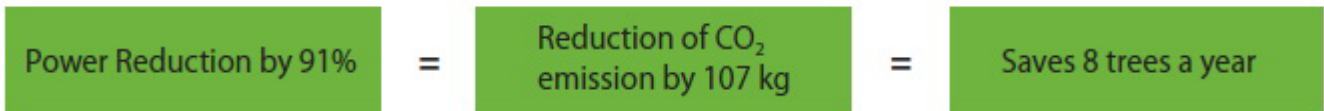
The diagrams present the light patterns with respect to different color temperature and field angle.

Lifetime



Environmentally Friendly

3W GU10 VS 35W Halogen



Economical

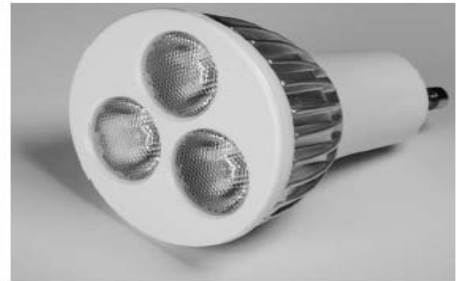


Power Consumption:	35W
Expected Lifetime:	1,000 hrs

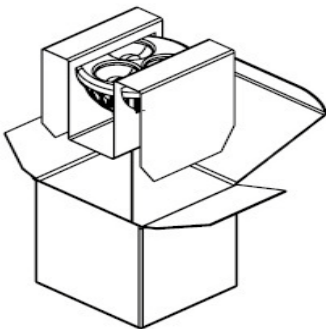


Power Consumption:	3W	Saving: 276.5 kWh / year
Expected Lifetime:	30,000 hrs	

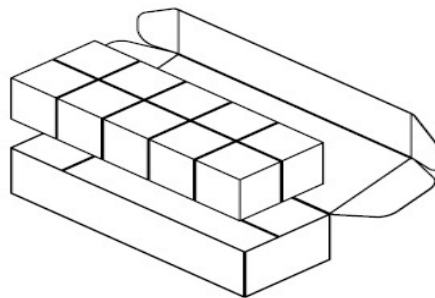
Application Notes



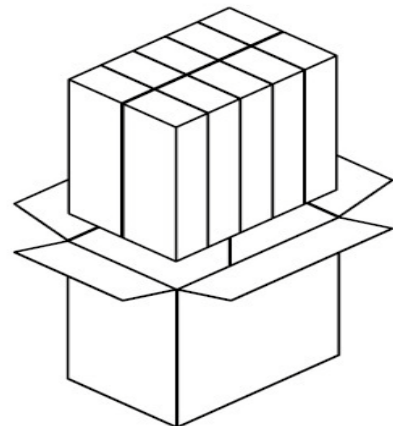
Package Information



1pc / Pack



10 pcs / Box



100 pcs / Carton

Pack Dimensions : 60mm(length)*55mm(width)*65mm(height)
 Box Dimensions : 330mm(length)*120mm(width)*70mm(height)
 Carton Dimensions : 368mm(length)*248mm(width)*350mm(height)