



15W PAR38 (E26)

15W PAR38 (E26) is an exceptionally high performance LED lamp built to last. It is a premium quality solid state lighting product precisely engineered and manufactured with state of the art technologies and materials.

Proprietary driving circuit enables 15W PAR38 (E26) to replace traditional incandescent/halogen lamp, up to 120 Watt, directly without additional modification or transformer.

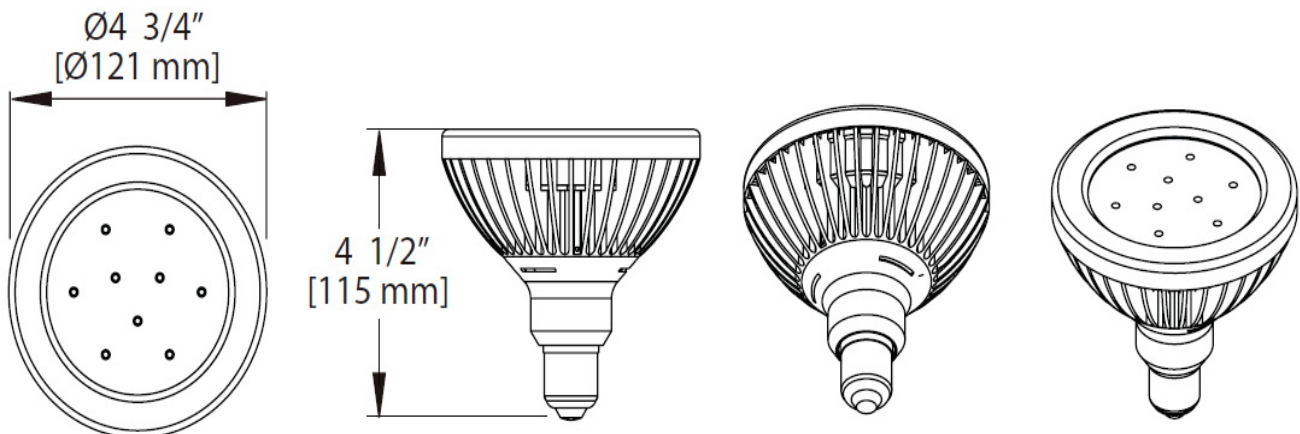
- **Solid State Lighting Technology**
- **Reduce CO₂ Emission**
- **Superior Quality Light**
- **Decrease Energy Consumption(15W)**
- **Ecologically Friendly**



Table of Contents

• Dimensions.....	2
• Absolute Maximum Rating.....	2
• Specifications.....	3
• Illumination and Field Angles.....	3
• Light Patterns.....	3
• Lifetime.....	4
• Environmentally Friendly.....	4
• Economical.....	5
• Application Notes.....	5
• Package Information.....	5

Dimensions



Tolerance: $\pm 1/8''$ [2.5 mm]

Absolute Maximum Rating

Parameter	Rating	Units
Plastic Housing Temperature	80	$^{\circ}\text{C}$
Operating Temperature	-20 ~ +40	$^{\circ}\text{C}$
Storage Temperature	-40 ~ +60	$^{\circ}\text{C}$
AC Input Voltage	120	V
Equilibrium Temperature	55	$^{\circ}\text{C}$

Specification

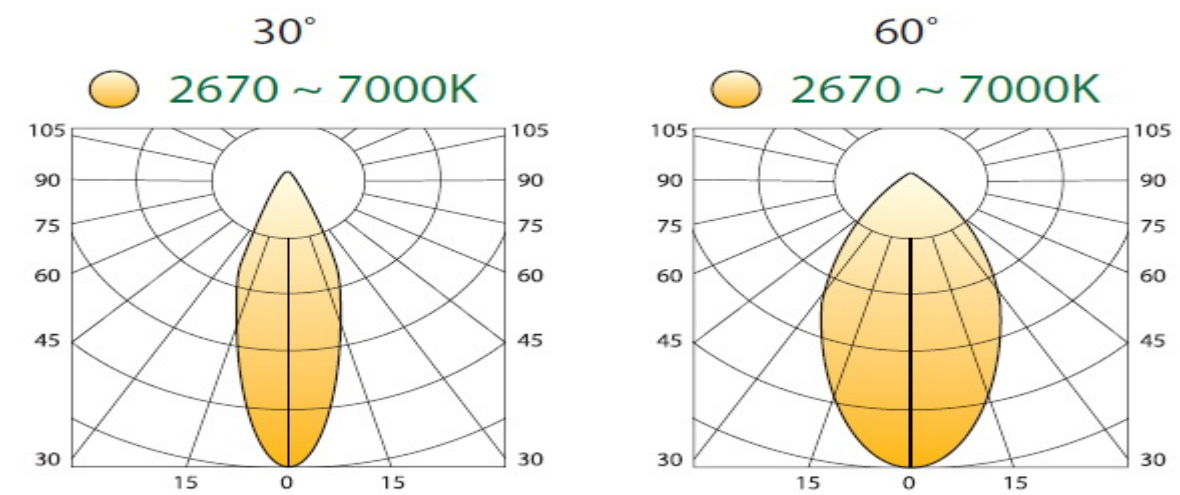
Parameter	Rating	Units
Power Consumption	15	W
Field Angles	30/60	Degree
Color Temperature	3000/4000/6000	K
CRI	80/75/70	/
Weight	400 ± 5	g
Base	E26	none

Illuminance and Field Angles

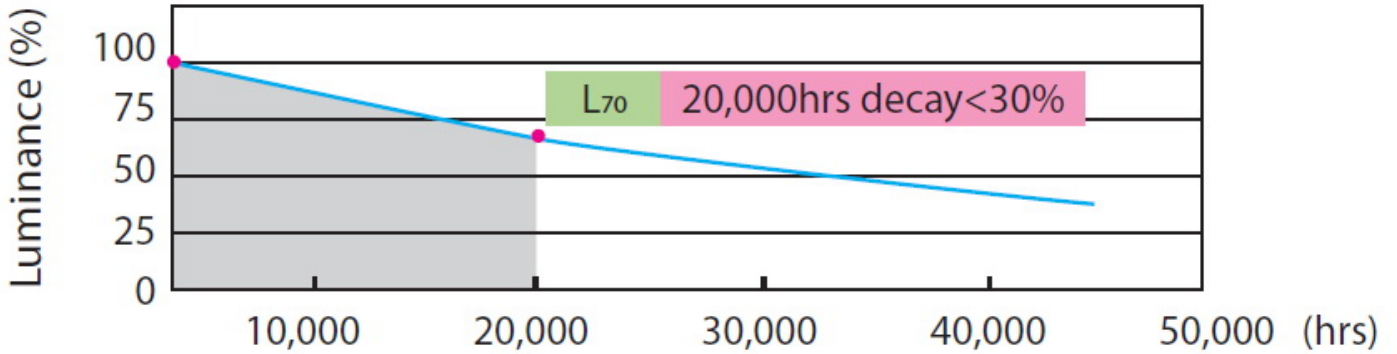
* Cool White/Neutral White/ Warm White

Part Number	Power Consumption(W)	Field Angles	Lux*@1m (Min)	Lux*@1m (Typ.)	Lm (Min.)	CCT (Typ.)
LVC-LB-PAR38-0307000	15W	30°	4440	5200	640	5650~7000K
LVC-LB-PAR38-0304500			3630	4250	520	3800~4500K
LVC-LB-PAR38-0303050			3370	3950	480	2670~3050K
LVC-LB-PAR38-0607000		60°	1020	1200	640	5650~7000K
LVC-LB-PAR38-0604500			850	1000	520	3800~4500K
LVC-LB-PAR38-0603050			760	900	480	2670~3050K

Light Patterns



Lifetime

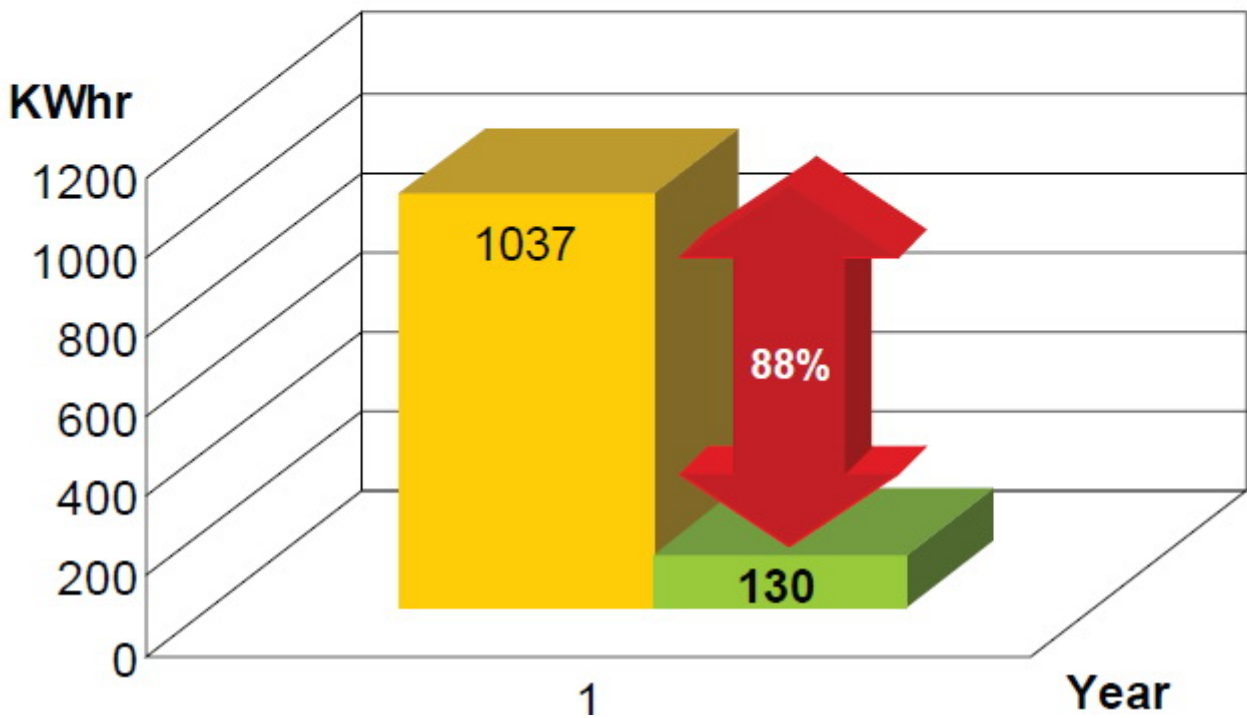


Environmentally Friendly

15W PAR38(E26) VS 120W Incandescent

Power Reduction by 88% = Reduction of CO₂ emission by 353.8 kg = Saves 25 trees a year

Incandescent (75W)
PAR38 (15W)



Economical



Power Consumption:

120W

Expected Lifetime:

1,000 hrs



Power Consumption:

15W

Saving: 907.2 kWh / year

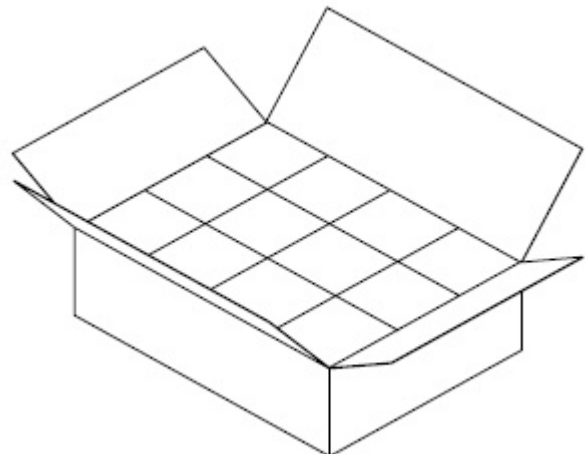
Expected Lifetime:

40,000 hrs

Application Notes



Package Information



125mm (length)*125mm(width)*145mm(height)
Copyright 2010 Light Vision, Co. All rights reserved.

527mm(length)*397mm(width)*164mm(height)
www.lightvision-led.com Version:1.1