



12W PAR30L (E26)

P30L (E26) is an exceptionally high performance LED lamp built to last. It is a premium quality solid state lighting product precisely engineered and manufactured with state of the art technologies and materials.

Proprietary driving circuit enables P30L (E26) to replace traditional incandescent/halogen lamp, up to 75 Watt, directly without additional modification or transformer. There are 4 steps digital dimming.

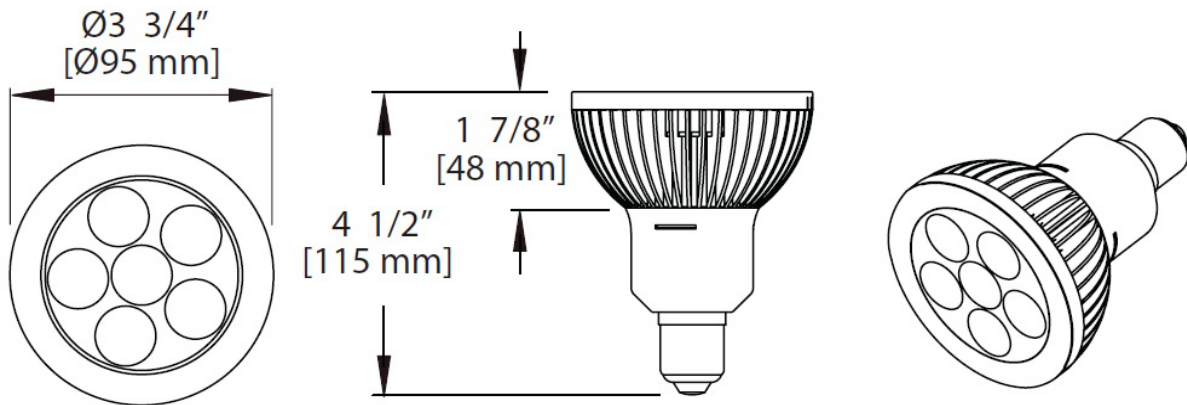
- **Solid State Lighting Technology**
- **Reduce CO₂ Emission**
- **Superior Quality Light**
- **Decrease Energy Consumption**
- **Ecologically Friendly**
- **4 Steps Digital Dimming**
- **Built to Last**



Table of Contents

• Dimensions.....	2
• Absolute Maximum Rating.....	2
• Specifications.....	3
• Illumination and Field Angles.....	3
• Light Patterns.....	3
• Lifetime.....	4
• Environmentally Friendly.....	4
• Economical.....	5
• Application Notes.....	5
• Package Information.....	6

Dimensions



Tolerance: $\pm 1/8''$ [2.5 mm]

Absolute Maximum Rating

Parameter	Rating	Units
Plastic Housing Temperature	80	°C
Operating Temperature	-20 ~ +40	°C
Storage Temperature	-40 ~ +60	°C
AC Input Voltage	120	V
Equilibrium Temperature	55	°C

Specification

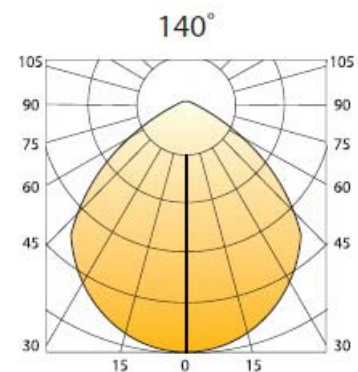
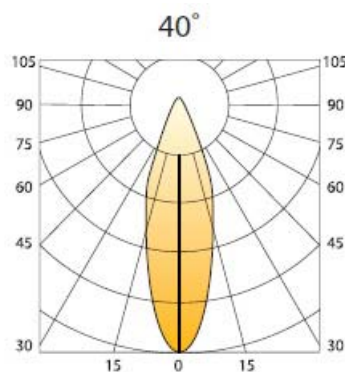
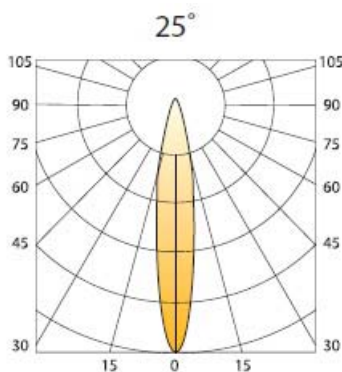
Parameter	Rating	Units
Power Consumption	12	W
Field Angles	25/40/140	Degree
Step-Dimming	100%, 75%, 50%, 25%	/
Color Temperature	3000/4000/6000	K
CRI	80/75/70	/
Weight	280 ± 5	g
Base	E26	none

Illuminance and Field Angles

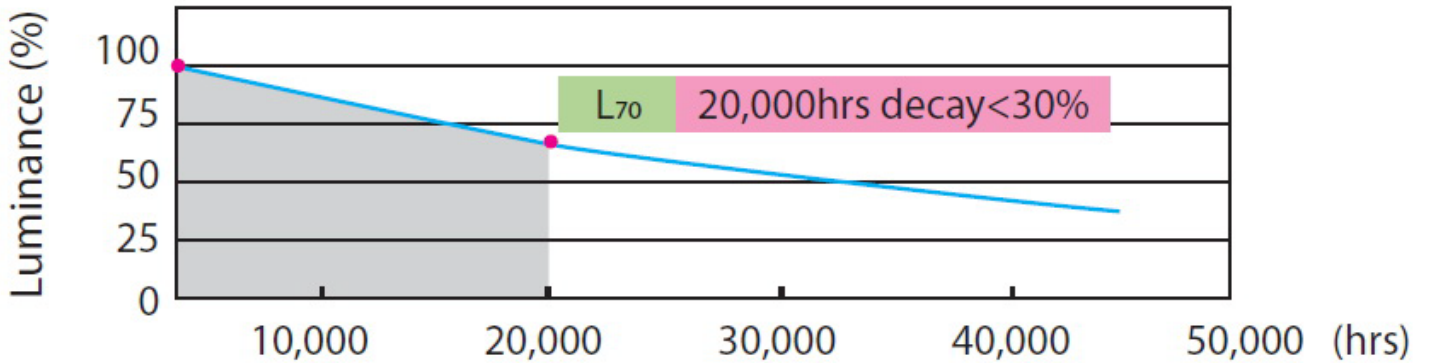
* Cool White/Neutral White/ Warm White

Part Number	Power Consumption(W)	Field Angle	Lux*@ 1m (Min.)	Lux*@ 1m (Typ.)	Lm (Min.)	CCT (Typ.)
LVC-LB-P30L-0257000	12W	25°	3240	3800	440	5650~7000K
LVC-LB-P30L-0254500			2390	2800	360	3800~4500K
LVC-LB-P30L-0253050			2130	2500	330	2670~3050K
LVC-LB-P30L-0407000		40°	1880	2200	440	5650~7000K
LVC-LB-P30L-0404500			1530	1800	360	3800~4500K
LVC-LB-P30L-0403050			1410	1650	330	2670~3050K
LVC-LB-P30L-1407000		140°	—	—	360	5650~7000K
LVC-LB-P30L-1404500			—	—	300	3800~4500K
LVC-LB-P30L-1403050			—	—	280	2670~3050K

Light Patterns



Lifetime

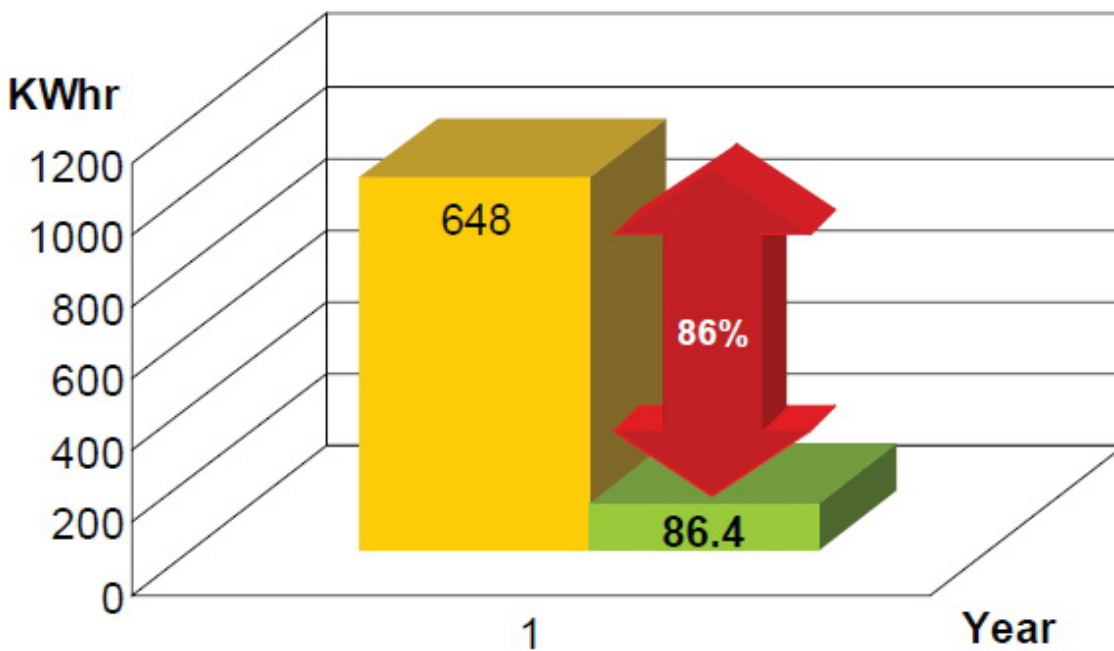


Environmentally Friendly

12W PAR30L(E26) VS 75W Incandescent

Power Reduction by 86% = Reduction of CO₂ emission by 219 kg = Saves 16 trees a year

- Incandescent (75W)
- 12W PAR30L(E26) (12W)



Economical



Power Consumption:

75W

Expected Lifetime:

1,000 hrs



Power Consumption:

12W

Saving: 561.6 kWh / year

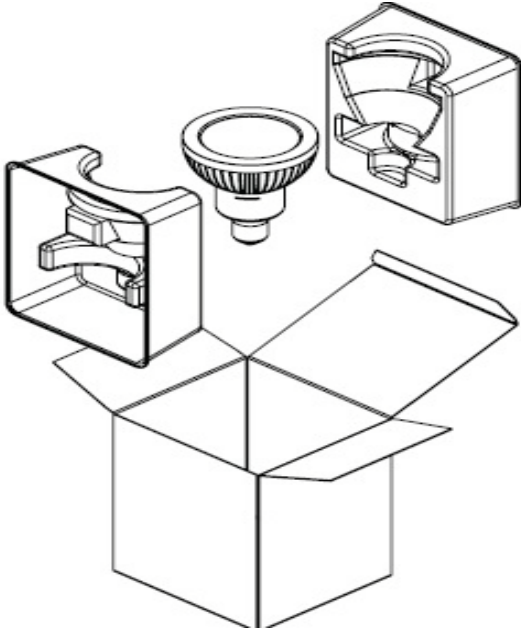
Expected Lifetime:

40,000 hrs

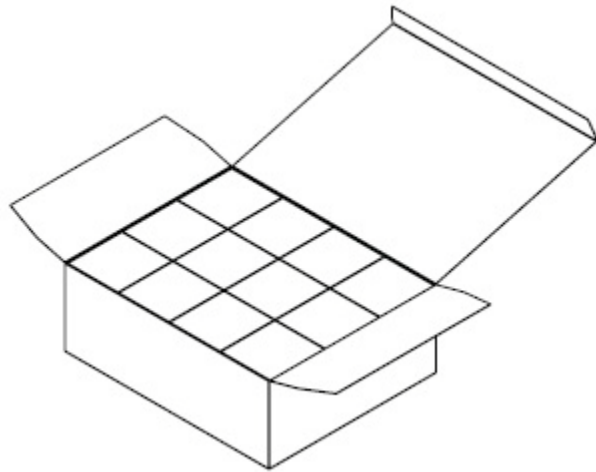
Application Notes



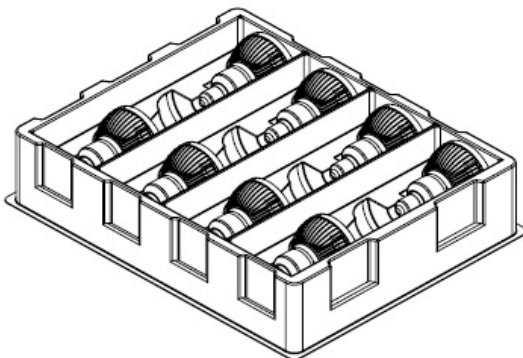
Package Information



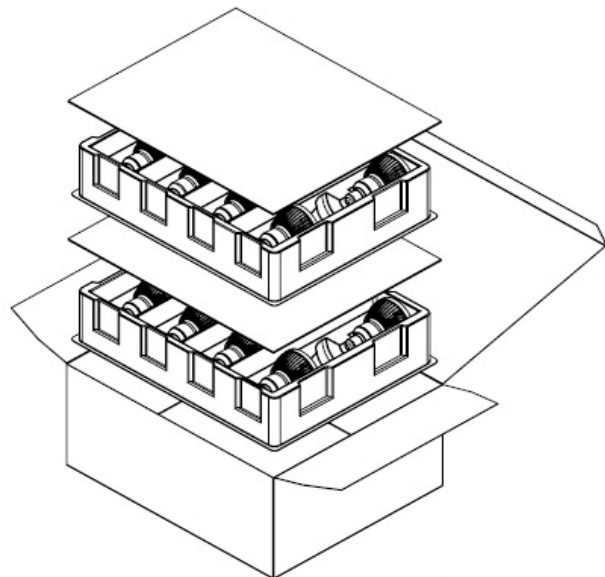
Interior Box (per each 12W PAR30L(E26))



Exterior Box (12 Pcs. of 12W PAR30L(E26))



Interior Tray (8 Pcs. of 12W PAR30L(E26))



Exterior Box (16 Pcs. of PAR30L(E26))

Interior Tray Dimensions : 515mm(length)*415mm(width)*112mm(height)

Exterior Box Dimensions : 520mm(length)*425mm(width)*195mm(height)