



12W PAR30 (E26)

12W PAR30 (E26) is an exceptionally high performance LED lamp built to last. It is a premium quality solid state lighting product precisely engineered and manufactured with state of the art technologies and materials.

Proprietary driving circuit enables PAR30 (E26) to replace traditional incandescent/halogen lamp, up to 75 Watt, directly without additional modification or transformer.

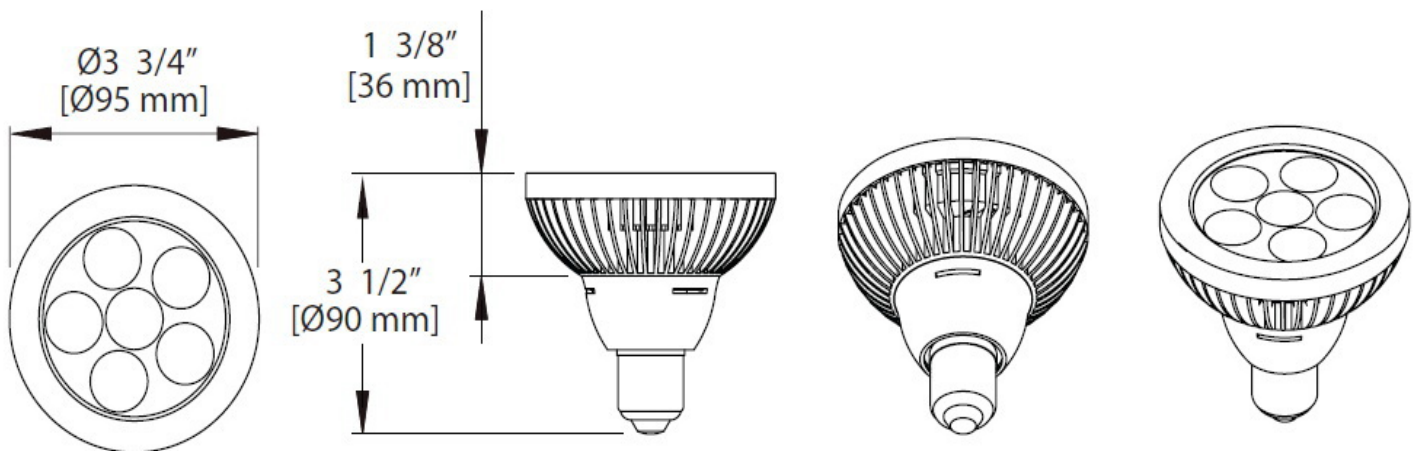
- **Solid State Lighting Technology**
- **Reduce CO₂ Emission**
- **Superior Quality Light**
- **Decrease Energy Consumption**
- **Ecologically Friendly**



Table of Contents

| | |
|--------------------------------------|---|
| • Dimensions..... | 2 |
| • Absolute Maximum Rating..... | 2 |
| • Specifications..... | 3 |
| • Illumination and Field Angles..... | 3 |
| • Light Patterns..... | 3 |
| • Lifetime..... | 4 |
| • Environmentally Friendly..... | 4 |
| • Economical..... | 5 |
| • Application Notes..... | 5 |
| • Package Information..... | 6 |

Dimensions



Tolerance: $\pm 1/8''$ [2.5 mm]

Absolute Maximum Rating

| Parameter | Rating | Units |
|-----------------------------|-----------|-------|
| Plastic Housing Temperature | 80 | °C |
| Operating Temperature | -20 ~ +40 | °C |
| Storage Temperature | -40 ~ +60 | °C |
| AC Input Voltage | 120 | V |
| Equilibrium Temperature | 55 | °C |

Specification

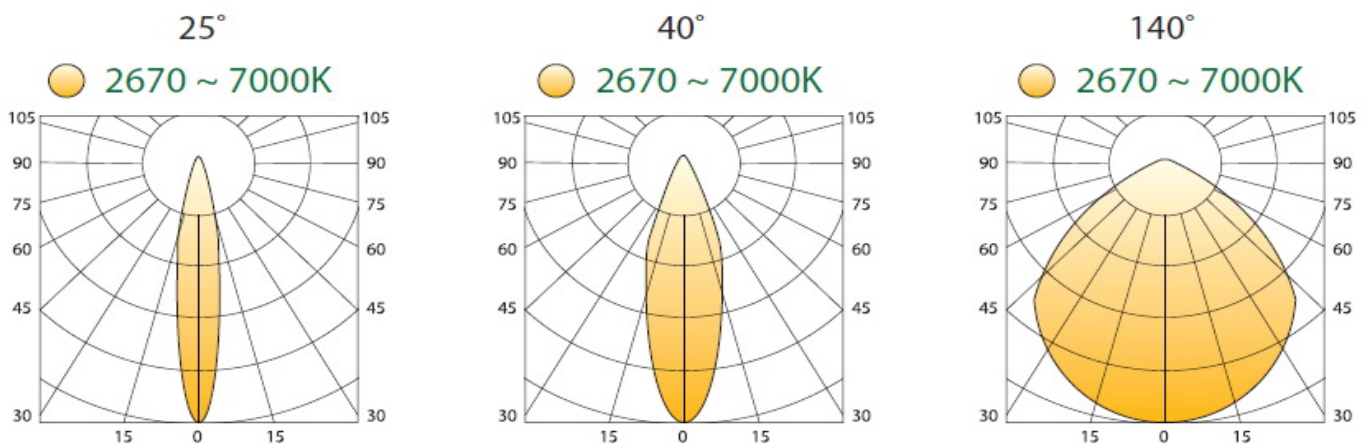
| Parameter | Rating | Units |
|-------------------|----------------|--------|
| Power Consumption | 12 | W |
| Field Angles | 25/40/140 | Degree |
| Color Temperature | 3000/4000/6000 | K |
| CRI | 80/75/70 | / |
| Weight | 215 ± 5 | g |
| Base | E26 | none |

Illuminance and Field Angles

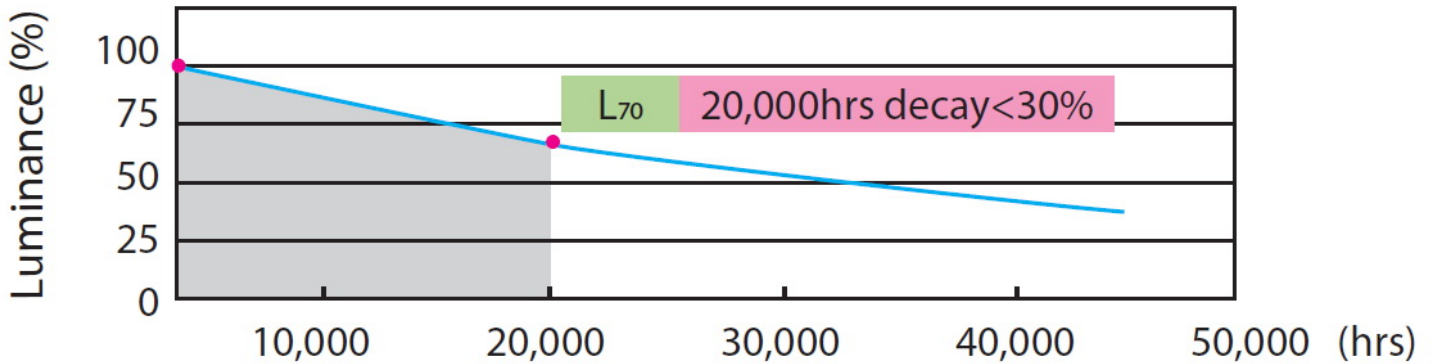
* Cool White/Neutral White/ Warm White

| Part Number | Power Consumption(W) | Field Angle | Lux* @1m (Min.) | Lux* @1m (Typ.) | Lm (Min.) | CCT (Typ.) |
|--------------------|----------------------|-------------|-----------------|-----------------|-----------|------------|
| LVC-LB-P30-0257000 | 12W | 25° | 3400 | 3800 | 440 | 5650~7000K |
| LVC-LB-P30-0254500 | | | 2500 | 2800 | 360 | 3800~4500K |
| LVC-LB-P30-0253050 | | | 2200 | 2500 | 330 | 2670~3050K |
| LVC-LB-P30-0407000 | | 40° | 1900 | 2200 | 440 | 5650~7000K |
| LVC-LB-P30-0404500 | | | 1600 | 1800 | 360 | 3800~4500K |
| LVC-LB-P30-0403050 | | | 1480 | 1650 | 330 | 2670~3050K |
| LVC-LB-P30-1407000 | | 140° | — | — | 360 | 5650~7000K |
| LVC-LB-P30-1404500 | | | — | — | 300 | 3800~4500K |
| LVC-LB-P30-1403050 | | | — | — | 280 | 2670~3050K |

Light Patterns



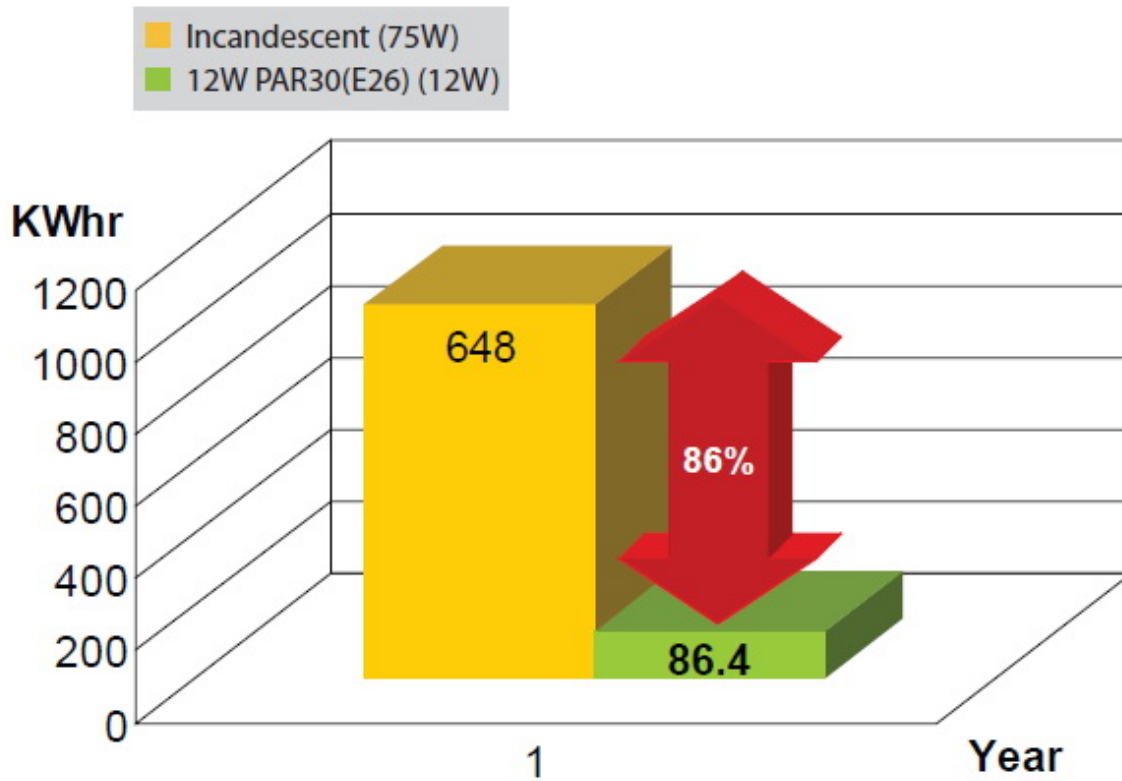
Lifetime



Environmentally Friendly

12W PAR30(E26) VS 75W Incandescent

Power Reduction by 86% = Reduction of CO₂ emission by 219 kg = Saves 16 trees a year



Economical



Power Consumption:

75W

Expected Lifetime:

1,000 hrs



Power Consumption:

12W

Saving: 561.6 kWh / year

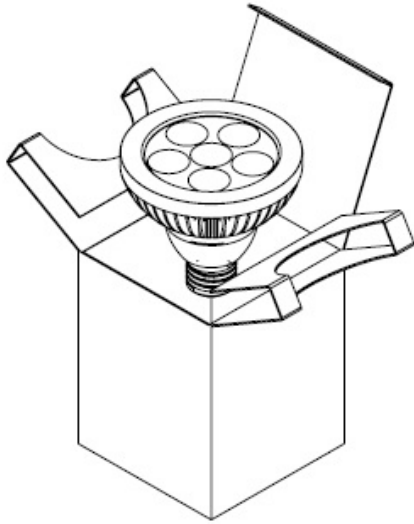
Expected Lifetime:

40,000 hrs

Application Notes

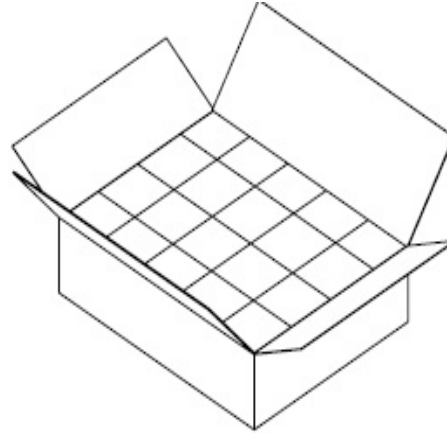


Package Information



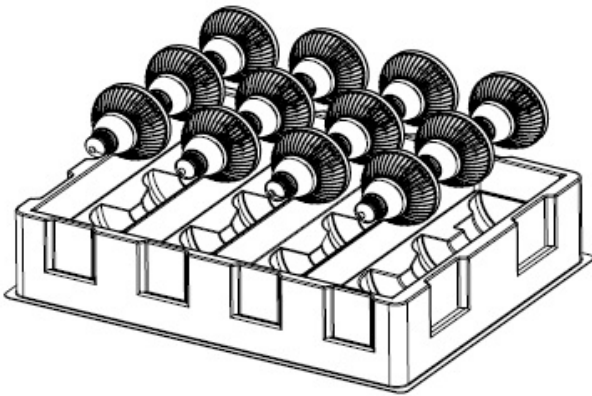
Interior Box (per each 12W PAR30(E26))

97mm(length)*97mm(width)*123mm(height)

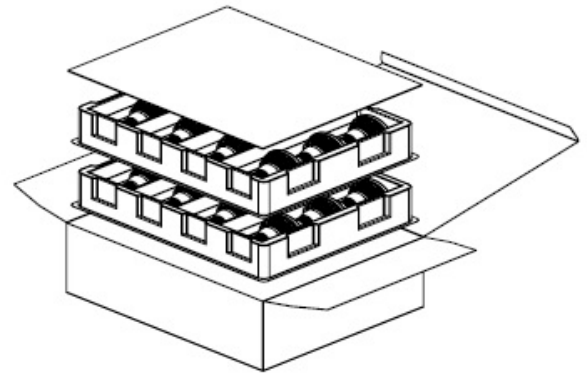


Large Exterior Box (20 Pcs. of 12W PAR30(E26))

520mm(length)*425mm(width)*195mm(height)



Interior Tray (12 Pcs. of 12W PAR30(E26))



Exterior Box (24 Pcs. of 12W PAR30(E26))

Note : Interior Tray Dimensions : 515mm(length)*415mm(width)*112mm(height)
 Exterior Box Dimensions : 520mm(length)*425mm(width)*195mm(height)