



*Enhancing Our Life With  
Green Energy*



## 10W ES111

**ES111** is an exceptionally high performance LED lamp built to last. It is a premium quality solid state lighting product precisely engineered and manufactured with state of the art technologies and materials.

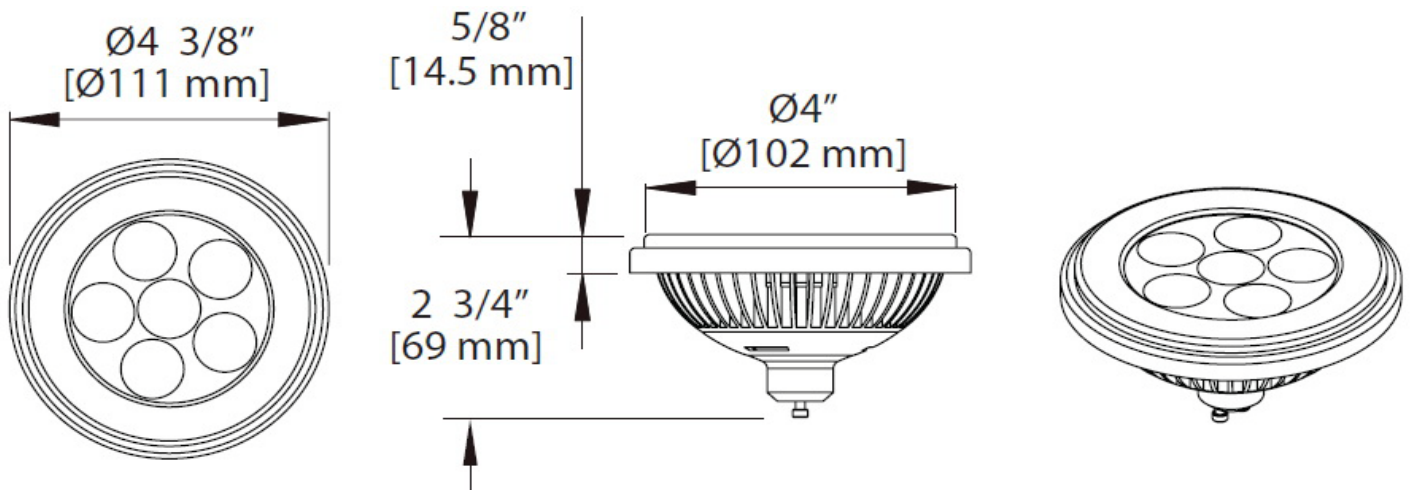
Proprietary driving circuit enables ES111 to replace traditional incandescent/halogen lamp, up to 75 Watt, directly without additional modification or transformer.

- **Solid State Lighting Technology**
- **Reduce CO<sub>2</sub> Emission**
- **Superior Quality Light**
- **Decrease Energy Consumption**
- **Ecologically Friendly**
- **Built to Last**

**Table of Contents**

- Dimensions.....2
- Absolute Maximum Rating.....2
- Specifications.....3
- Illumination.....3
- Light Patterns.....3
- Lifetime.....4
- Environmentally Friendly.....4
- Economical.....5
- Application Notes.....5
- Package Information.....5

**Dimensions**



Tolerance: ± 1/8" [2.5 mm]

**Absolute Maximum Rating**

Parameter	Rating	Units
Plastic Housing Temperature	80	°C
Operating Temperature	-20 ~ +40	°C
Storage Temperature	-40 ~ +60	°C
AC Input Voltage	100~250	V
Equilibrium Temperature	60	°C

## Specification

Parameter	Rating	Units
Power Consumption	10	W
Field Angles	25/40	Degree
Color Temperature	3000/4000/6000	K
CRI	80/75/70	/
Weight	220± 5	g
Base	GU10	none

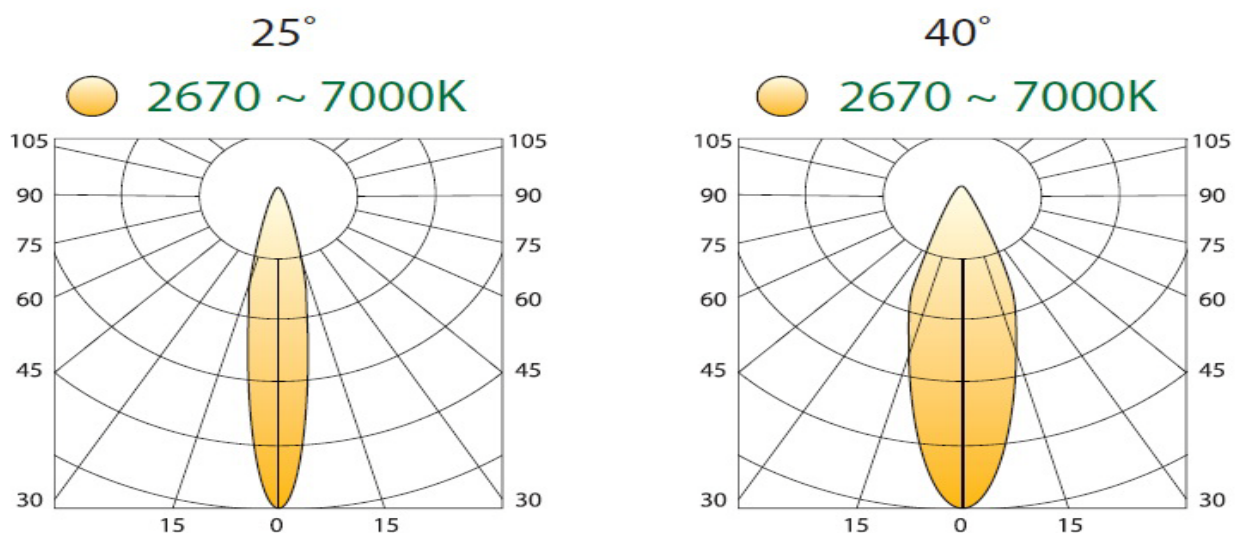
## Illuminance and Field Angles

\* Cool White/Neutral White/ Warm White

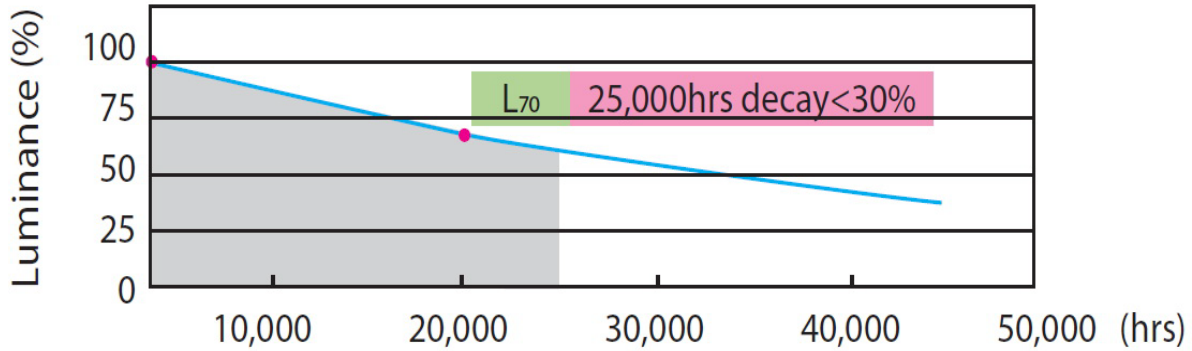
Part Number	Power Consumption(W)	Field Angle	Lux* @1m	Lux* @1m	Lm (Min.)	CCT (Typ.)
			(Min.)	(Typ.)		
LVC-LB-ES111-0257000	10W	25°	3240	3800	420	5650~7000K
LVC-LB-ES111-0254500			2650	3100	350	3800~4500K
LVC-LB-ES111-0253050			2390	2800	320	2670~3050K
LVC-LB-ES111-0407000		40°	2390	2800	450	5650~7000K
LVC-LB-ES111-0404500			1960	2300	350	3800~4500K
LVC-LB-ES111-0403050			1790	2100	320	2670~3050K

## Light Patterns

The diagrams present the light patterns with respect to different color temperature and field angle.

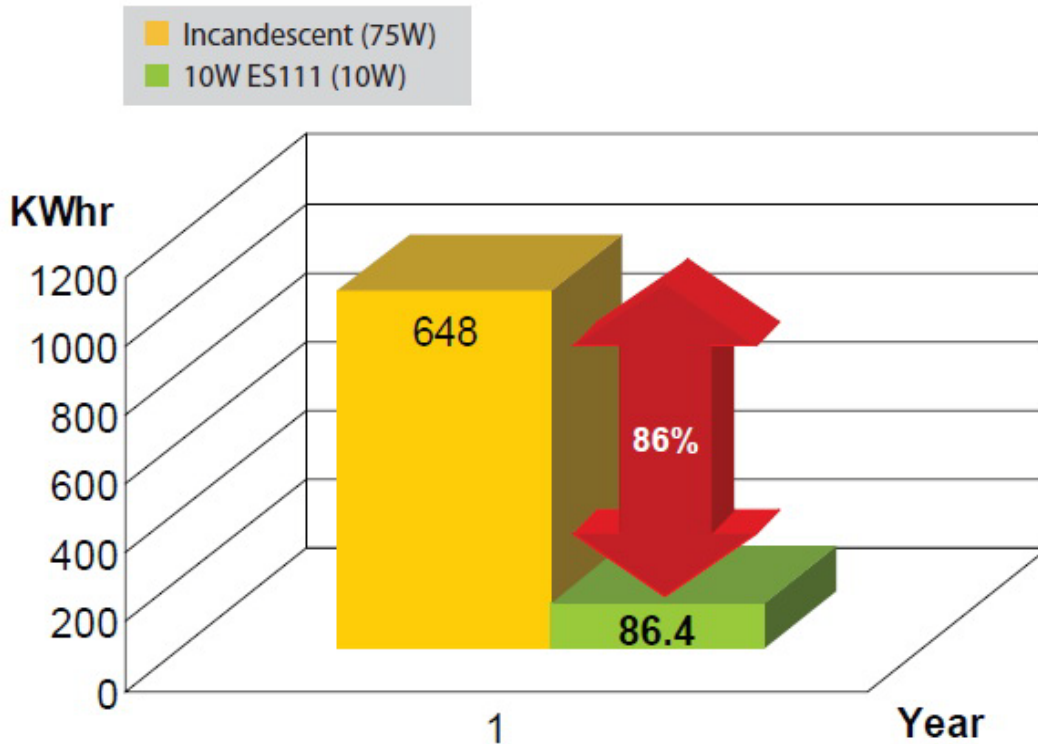
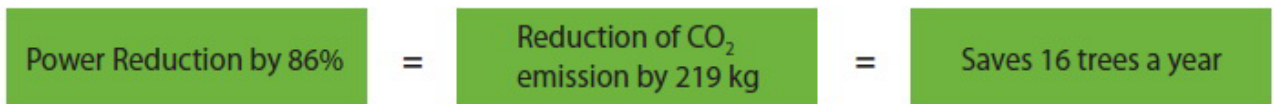


**Lifetime**



**Environmentally Friendly**

10W ES111 VS 75W Incandescent



## Economical



Power Consumption:

75W

Expected Lifetime:

1,000 hrs



Power Consumption:

10W

Saving: 561.6 kWh / year

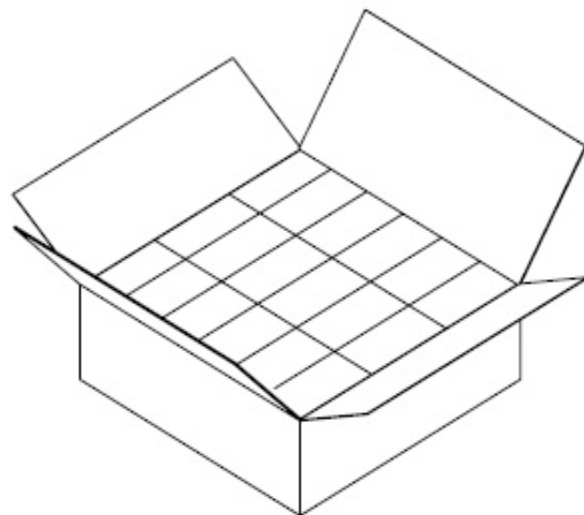
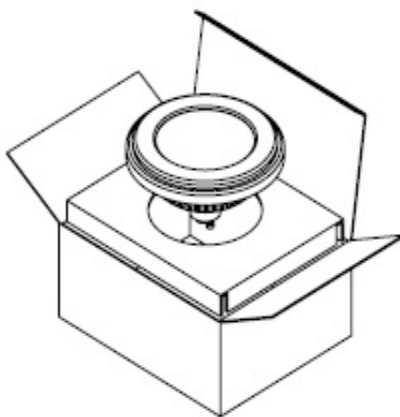
Expected Lifetime:

40,000 hrs

## Application Notes



## Package Information



Interior Box (per each ES111 LED Lamp)

Exterior Box ( 18 Pcs. of ES111 LED Lamp)

Note : Interior Box Dimensions : 160mm(length)\*130mm(width)\*75mm(height)

Outerior Box Dimensions : 520mm(length)\*425mm(width)\*195mm(height)